



SERVING THE FOOD INDUSTRY SINCE 1951

Freezer Worktops With Backsplash

ITEM: 50094 50096 50098
 MODEL: FR-CN-0686-BS-HC FR-CN-1219-BS-HC FR-CN-1524-BS-HC



Convenient Food Preparation and Compact Space Saving Format

A perfect work table that comes with a spacious stainless steel surface for all types of food prep work, and a spacious refrigerated interior to store all your ingredients for easy access.



FEATURES:

- Full stainless steel construction
- Efficient refrigeration system keeps foods at safe temperatures.
- Self closing door with a maximum angle of 90 Degrees
- Adjustable PVC coated shelves
- Digital Control System for easy temperature adjustments
- R290 Refrigerant

Telephone: 1-800-465-0234

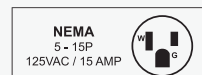
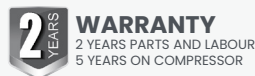
Fax: (905) 607-0234

Email: sales@omcan.com

Website: www.omcan.com



Authorized Dealer



TECHNICAL SPECIFICATION			
Item Number	50094	50096	50098
Model	FR-CN-0686-BS-HC	FR-CN-1219-BS-HC	FR-CN-1524-BS-HC
Description	1 Door / 1 Shelf	2 doors / 2 shelves	
Shelf Loading Capacity	88 lb. (40 kg)		
Net Volume	154 L / 5 cu.ft	320 L / 11 cu.ft.	425 L / 15 cu.ft
Self-door Closing	Yes		
Casters	Yes		
Shelf Materials	Plastic Coated		
Temperature	-8°- 0°F / -22 to -18°C		
Defrosting	Automatic		
Controller	Mechanical / Digital Display		
Cooling System	Ventilated		
Isolation Material	Cyclopentane		
Refrigerant	R290		
Power	480W	480W	600W
Current	4.2A	4.2A	5.2A
Electrical	115V / 60Hz / 1Ph		
Interior Dimensions (WDH)	22.4" x 19.84" x 23.5" (569 x 504 x 597 mm)	42.6" x 19.8" x 23.5" (1083 x 504 x 597 mm)	55.6" x 19.8" x 23.5" (1413 x 504 x 597 mm)
Net Dimensions	27" x 29.5" x 38.8" (685 x 750 x 985 mm)	47.2" x 29.5" x 38.8" (1200 x 750 x 985 mm)	60.2" x 29.5" x 38.8" (1529 x 750 x 985 mm)
Gross Dimensions	29.7" x 32.3" x 38.2" (755 x 820 x 970 mm)	50" x 32.3" x 38.2" (1270 x 820 x 970 mm)	63" x 32.3" x 38.2" (1600 x 820 x 970 mm)
Net Weight	158.7 lb. (72 kg)	213.8 lb. (97 kg)	253.5 lb. (115 kg)
Gross Weight	202.8 lb. (92 kg)	275.6 lb. (125 kg)	324.1 lb. (147 kg)

BMAD System (Low maintenance high performance). Dimensions rounded up to the nearest inch or millimeter. Specifications subject to change without notice.

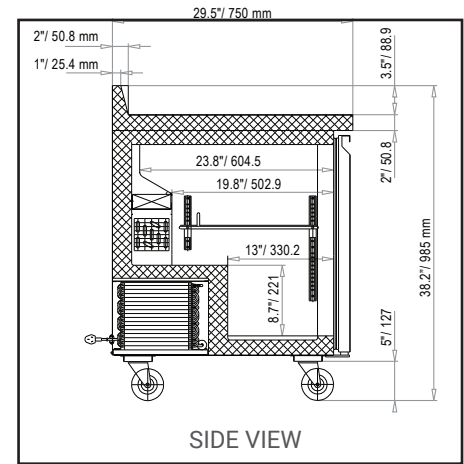
TECHNICAL DRAWING



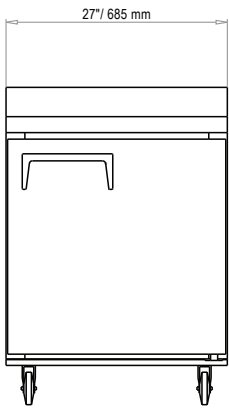
50094



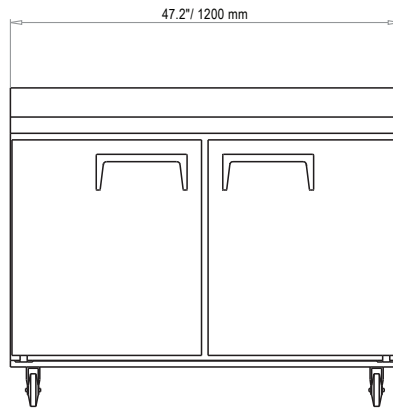
50096



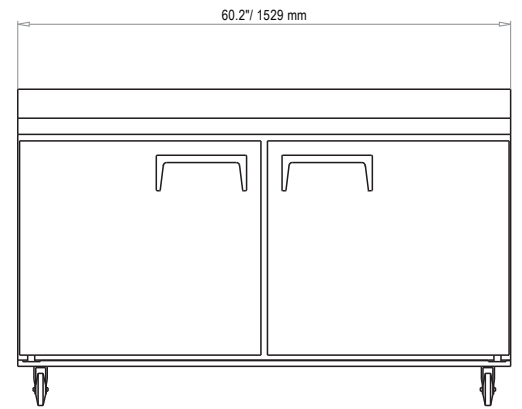
50098



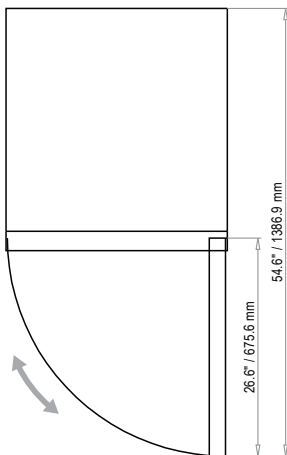
FRONT VIEW



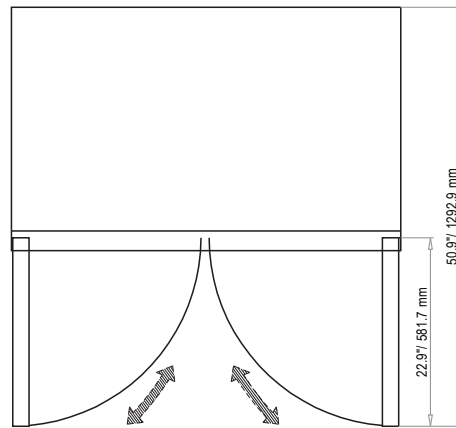
FRONT VIEW



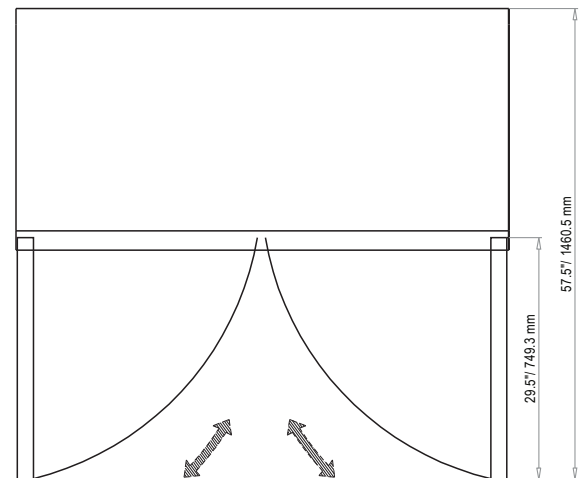
FRONT VIEW



TOP VIEW WITH OPEN DOORS



TOP VIEW WITH OPEN DOORS



TOP VIEW WITH OPEN DOORS